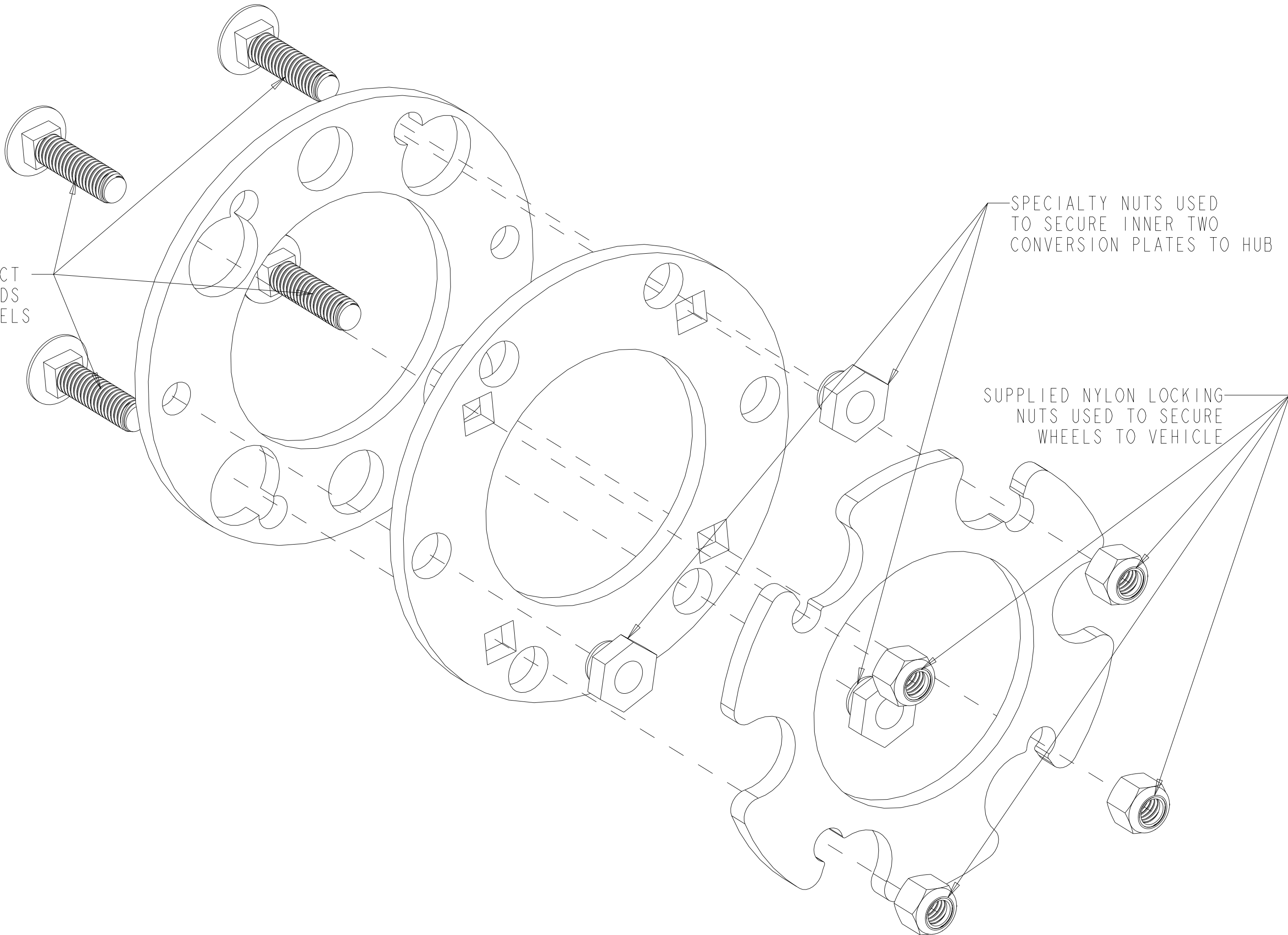


CARRIAGE BOLTS ACT
AS NEW WHEEL STUDS
FOR FOUR BOLT WHEELS



SPECIALTY NUTS USED
TO SECURE INNER TWO
CONVERSION PLATES TO HUB

SUPPLIED NYLON LOCKING
NUTS USED TO SECURE
WHEELS TO VEHICLE